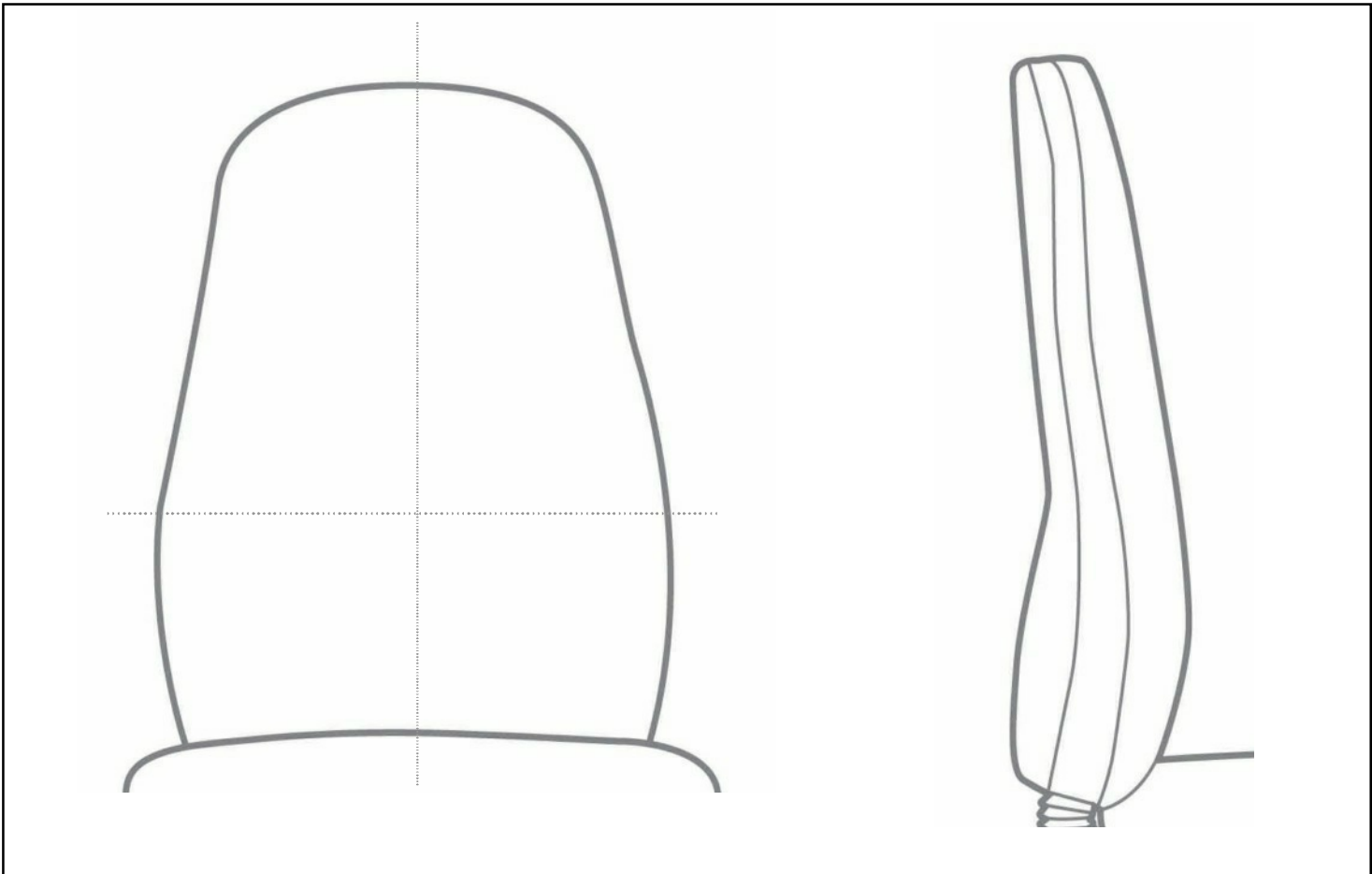


Adapt[®] easiSpec

Bespoke Back Rest Adaptation Form



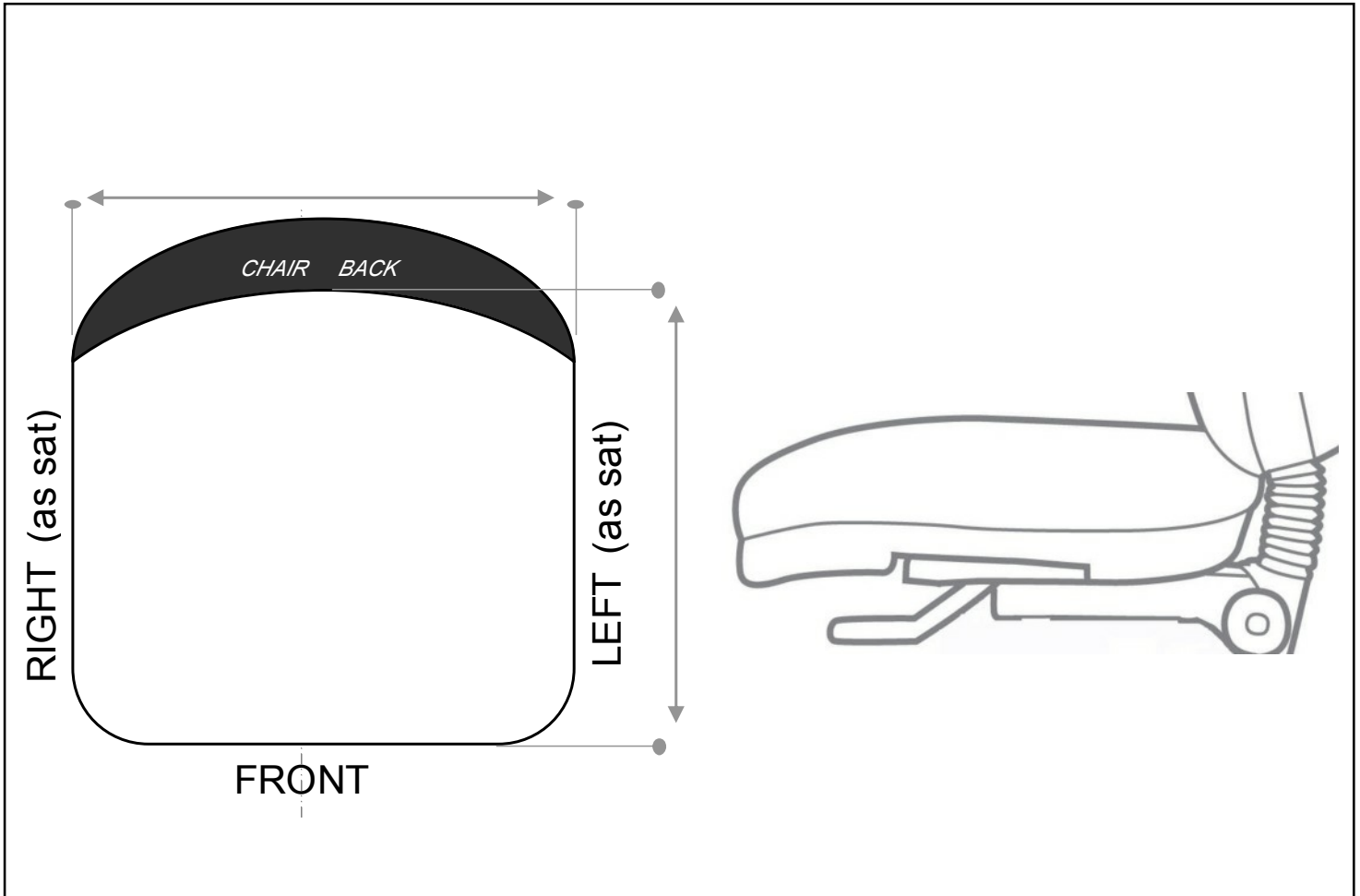
NB: Please use the above diagram to illustrate your specific requirement giving dimensions as appropriate, and make any accompanying notes accordingly in the box below.

The above diagram is an accurate representation of my requirements

Signature..... Print Name..... Date

Adapt[®] easiSpec

Bespoke Seat Adaptation Form



NB: Please use the above diagram to illustrate your specific requirement giving dimensions as appropriate, and make any accompanying notes accordingly in the box below.

The above diagram is an accurate representation of my requirements

Signature..... Print Name..... Date